

MENABO

free time on the move

optional kit
000110300000

IT	Istruzioni di montaggio	LV	Pritvirtinimo instrukcijas
EN	Fitting instructions	NL	Instrukcja montażu
DE	Montageanleitung	NO	Monteringsveiledning
FR	Instructions de montage	PL	Instrukcja montażu
ES	Instrucciones de montaje	PT	Instruções de Montagem
CS	Návod na montáž	RO	Instrucțiuni de montare
DA	Monteringsvejledning	RU	Инструкции по установке
EL	Οδηγίες συναρμολόγησης	SK	Návod na montáž
ET	Paigaldusjuhend	SL	Navodila za pritrjevanje
FI	Asennusohje	SV	Monteringsanvisning
HR	Uputa za sastavljanje	TK	Uydurma talimat
HU	A felszerelés módja	ZH	裝修指導
LT	Stiprināšanas instrukcija	AR	تعليمات التجميل

YELO NS




YELO

NIAGARA




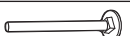
Made in Italy

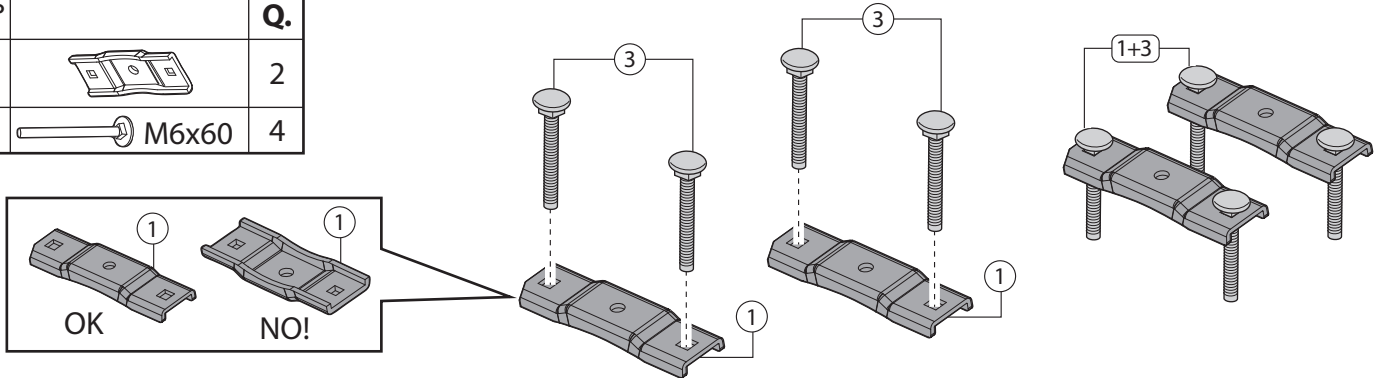


N°	[IT]Componenti (Inclusi) [EN]Components (Included) [FR]Composants (Comprises) [DE]Die Komponenten (im Lieferumfang enthalten) [ES]Componentes (Incluido)	Q.
1		8
2		8
3	 M6x60	8

① **YELO NS / -YELO / NIAGARA**

X2

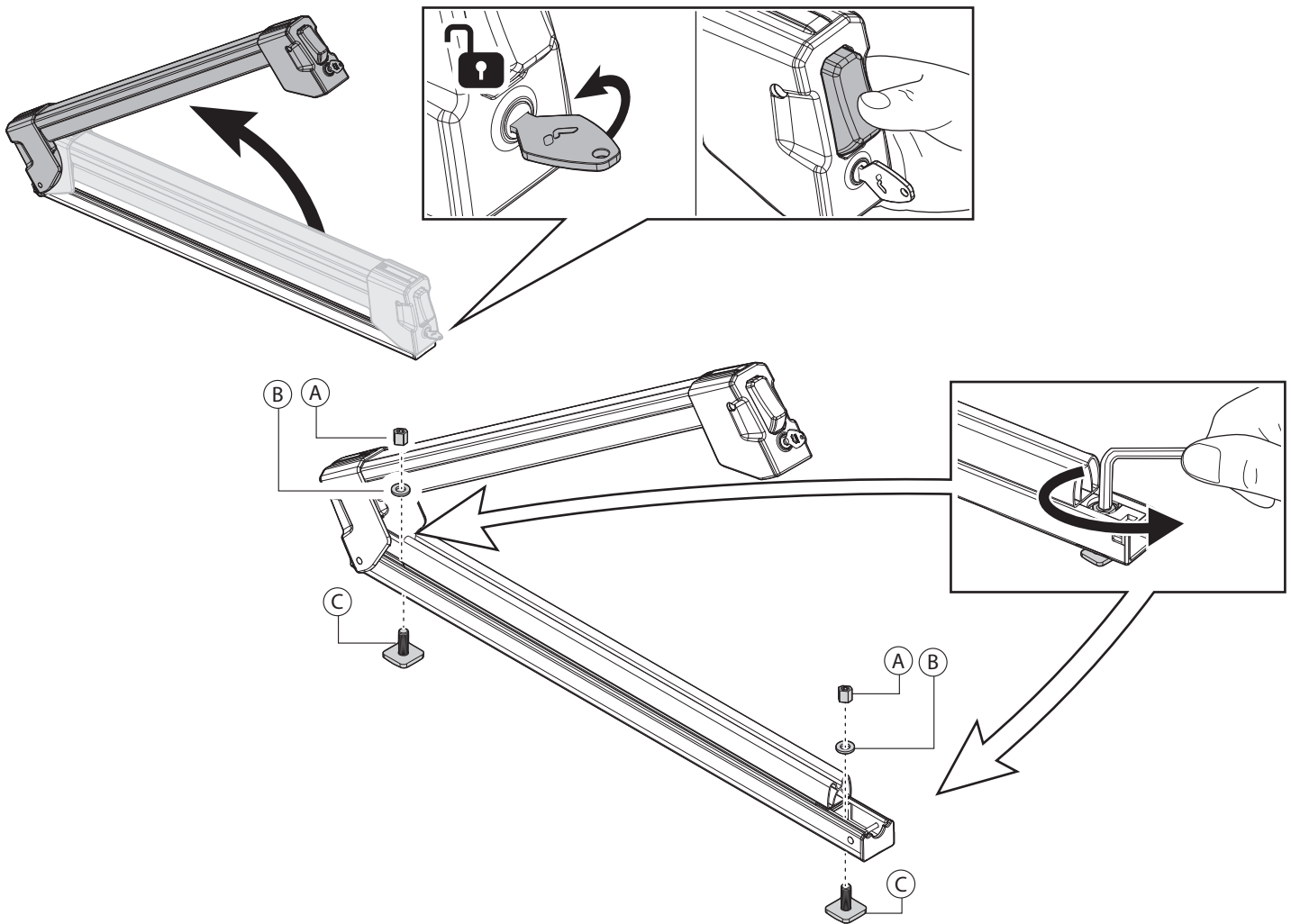
N°		Q.
1		2
3	 M6x60	4



YELO NS → ② **YELO** → ④ pag.3 **NIAGARA** → ⑫ pag.6

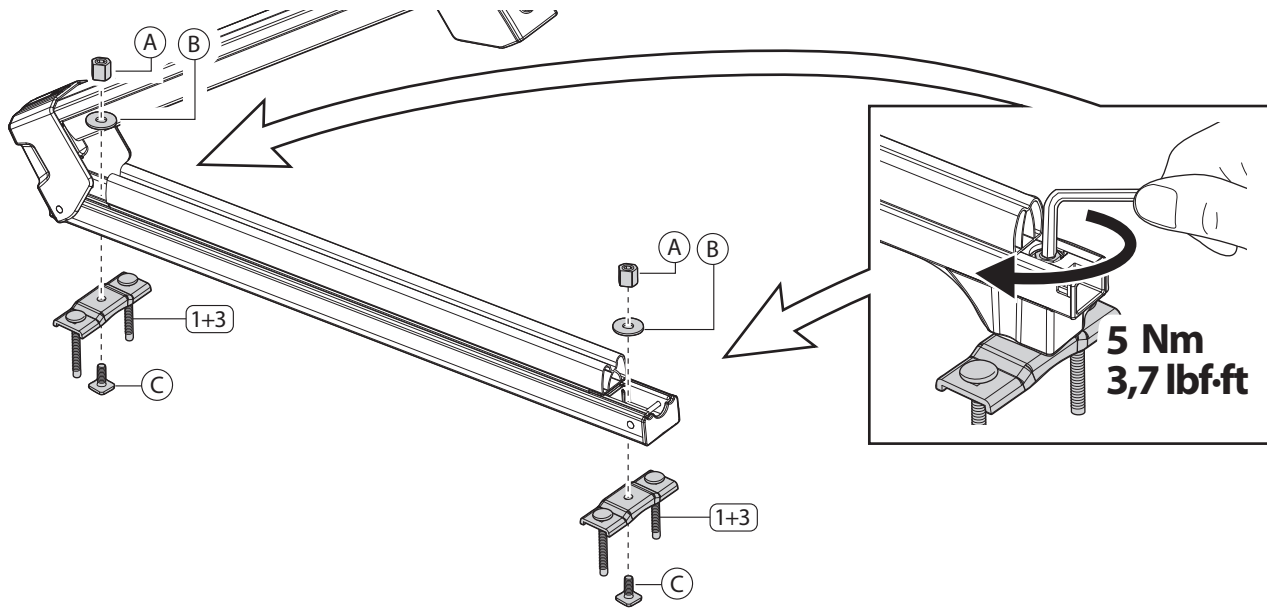
② **YELO NS**

X2



3 YELO NS

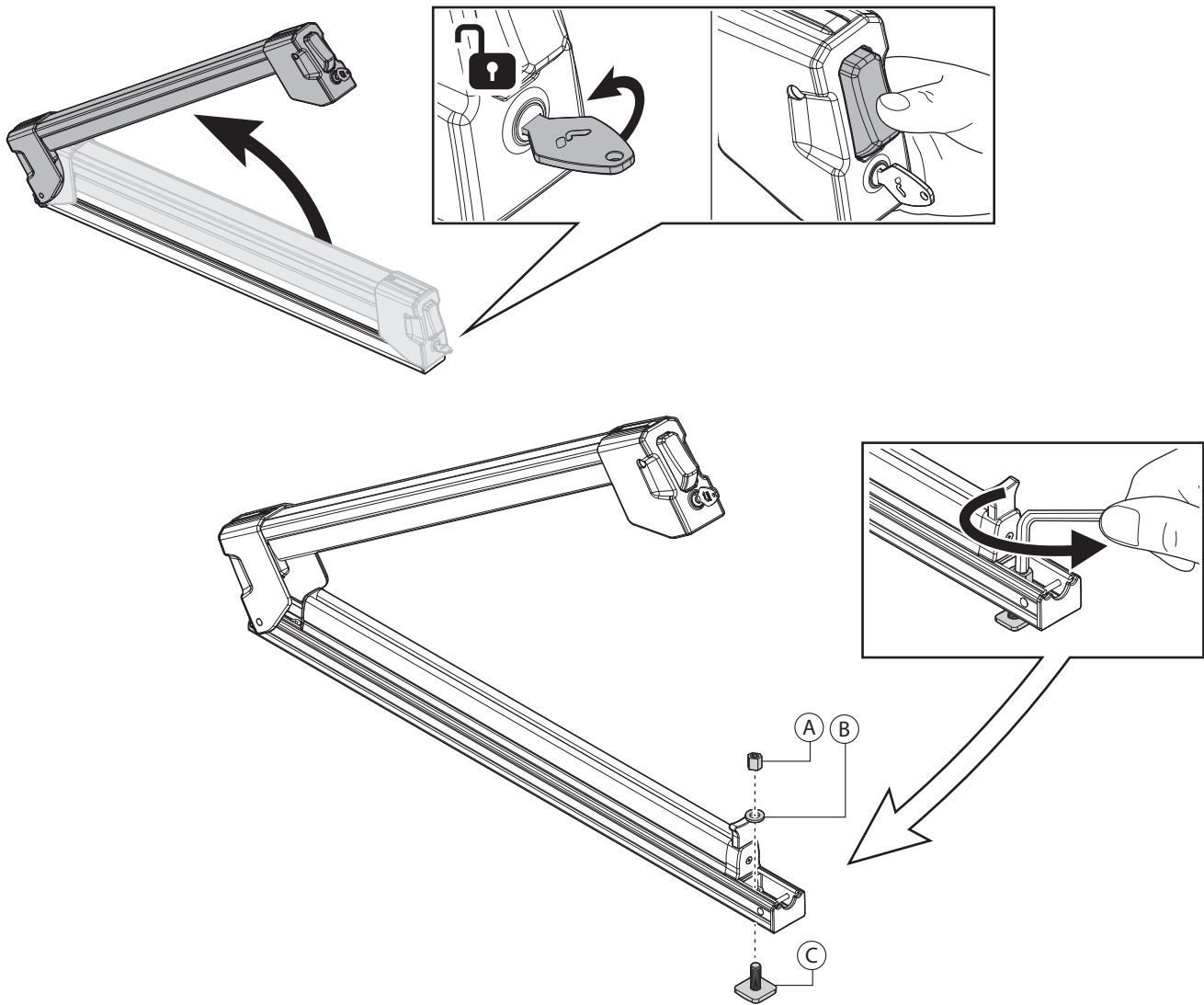
X2



YELO NS → 9 pag.5

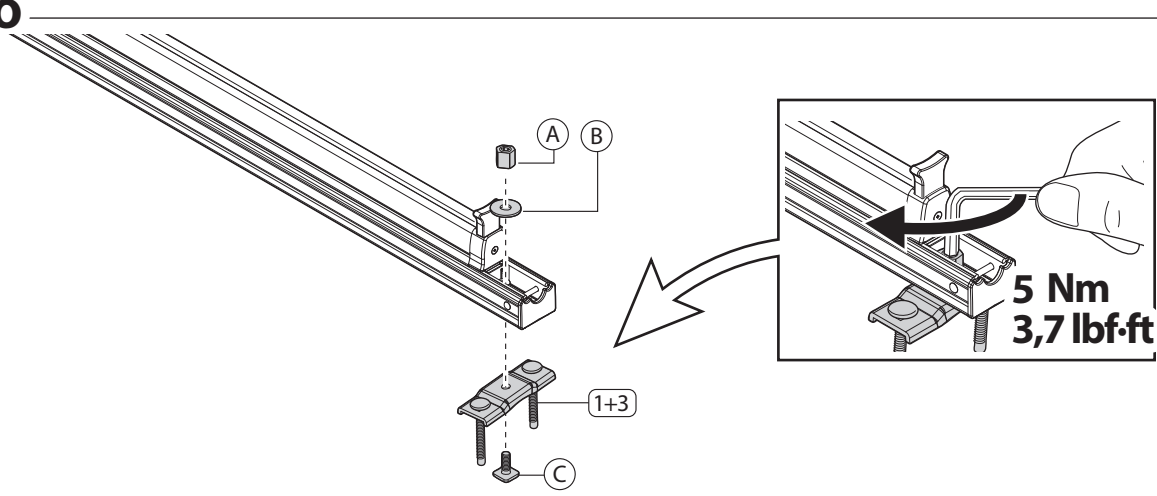
4 YELO

X2



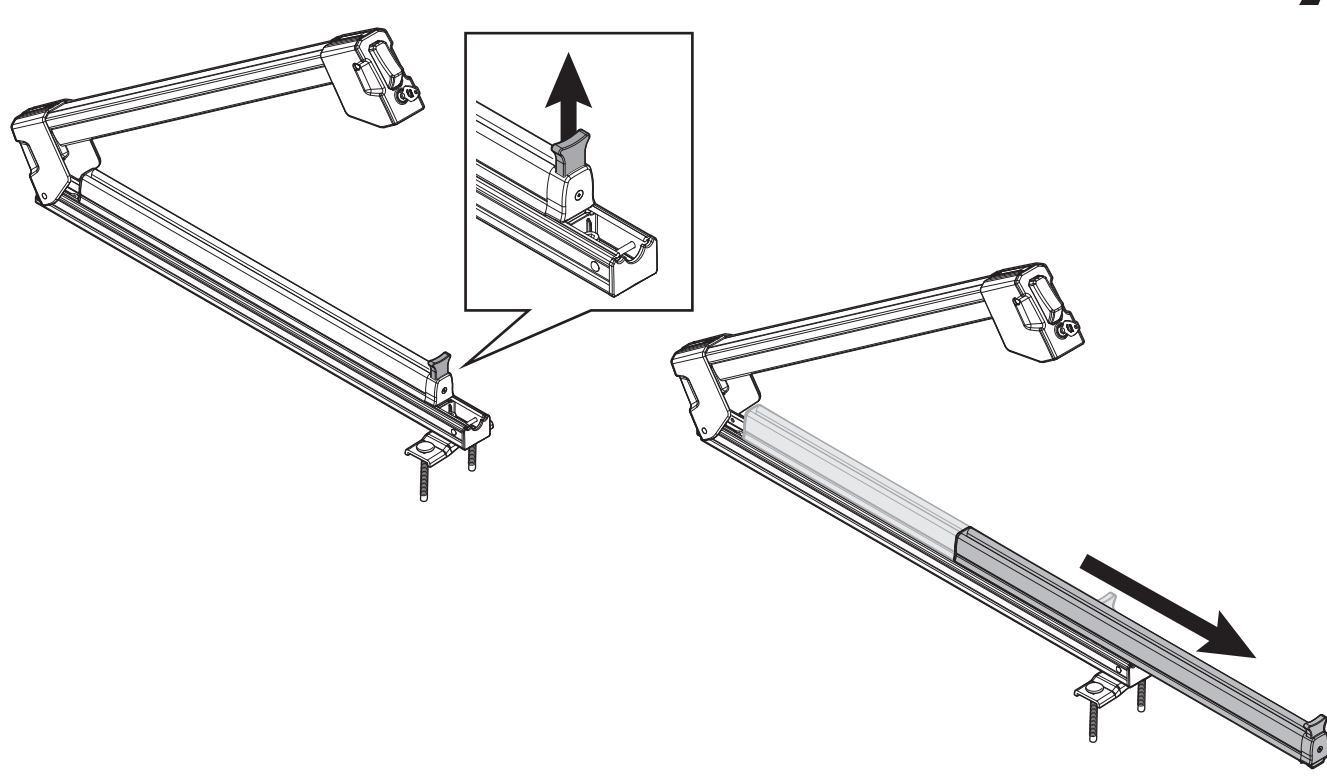
5 YELO

X2



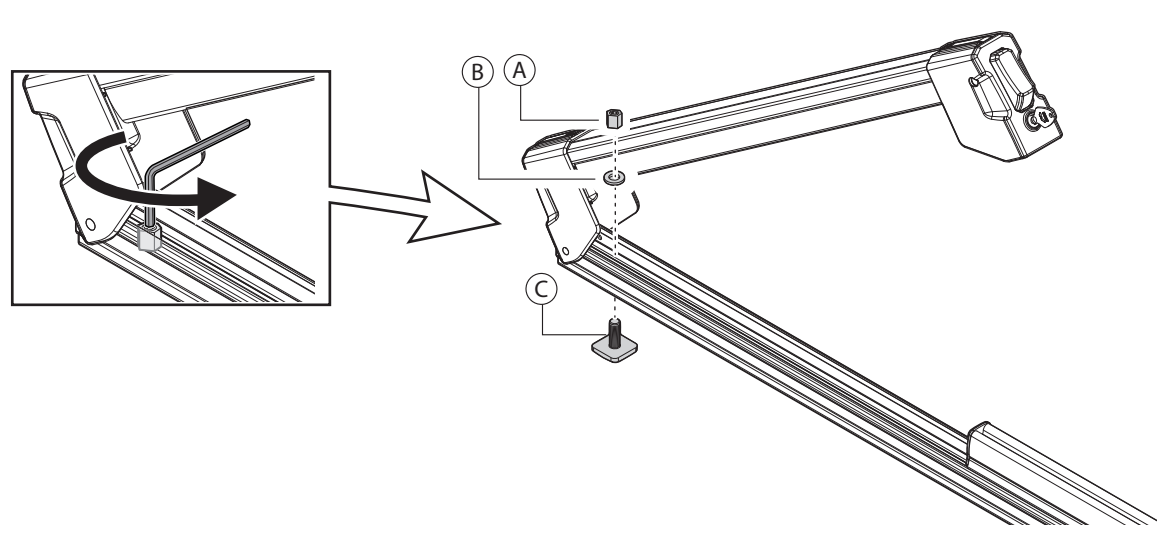
6 YELO

X2



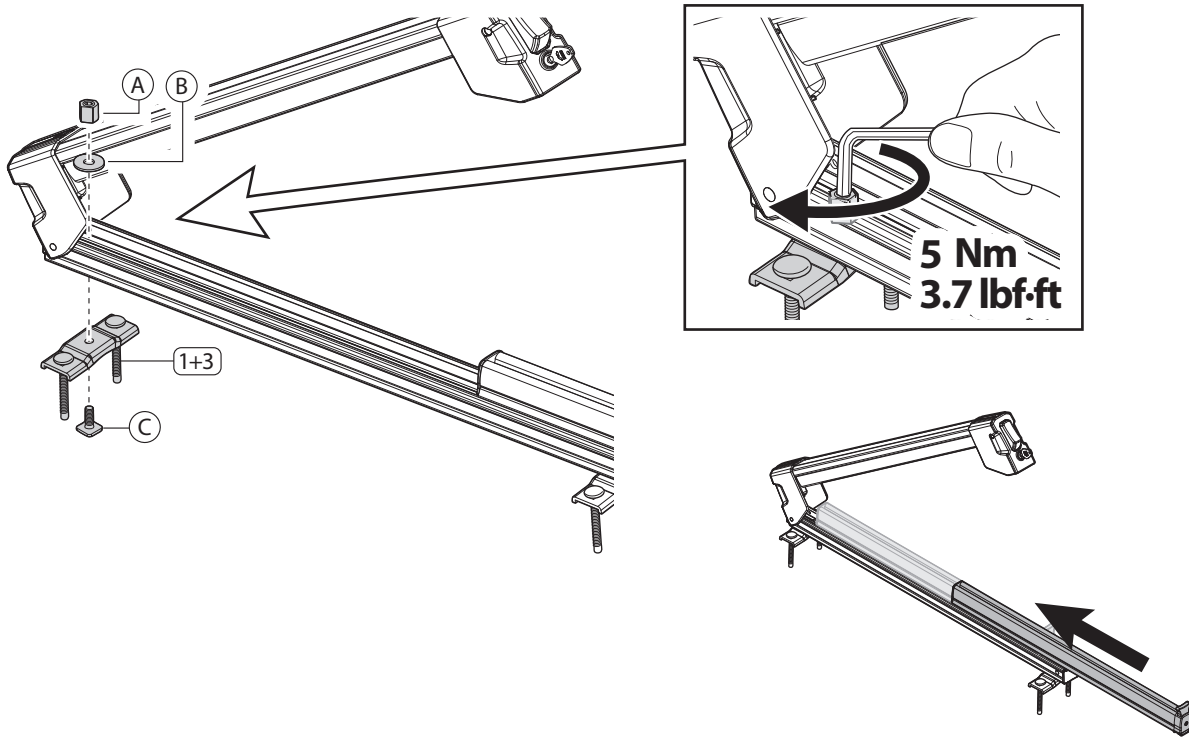
7 YELO

X2



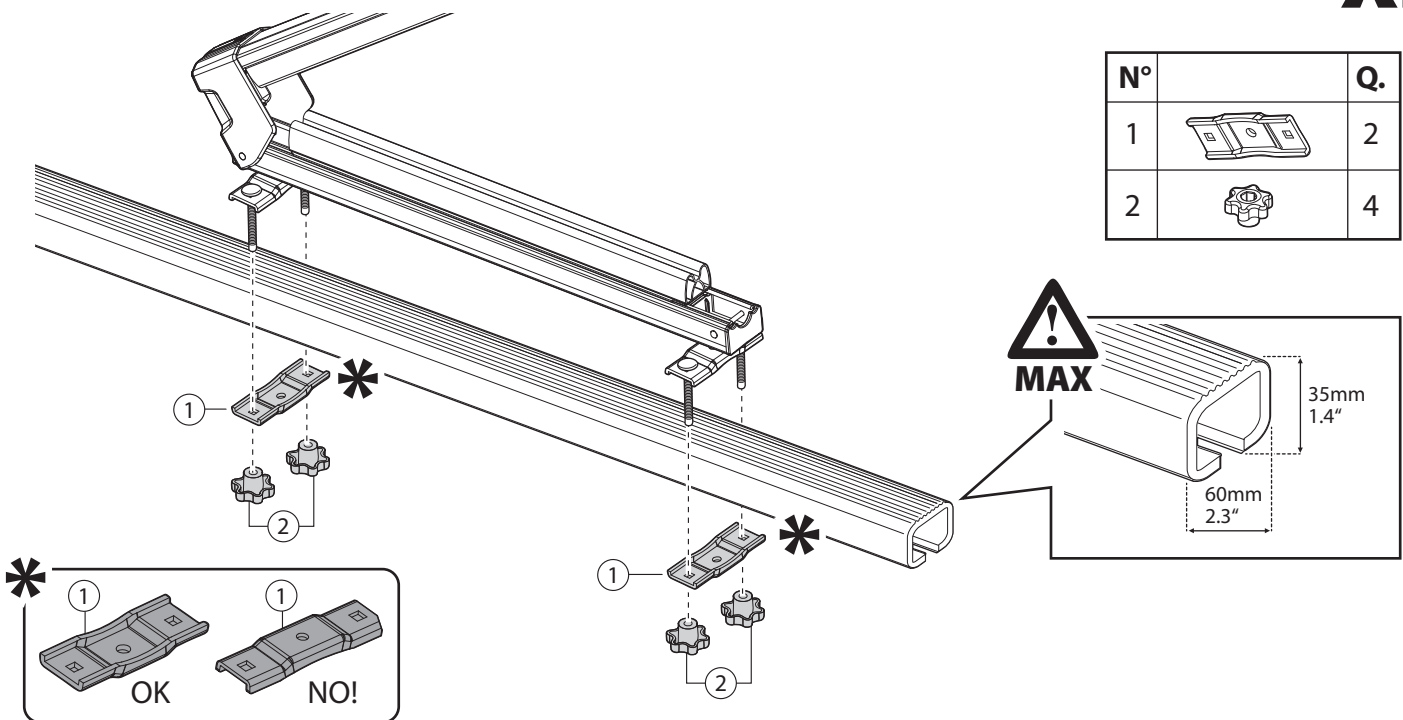
8 YELO

X2



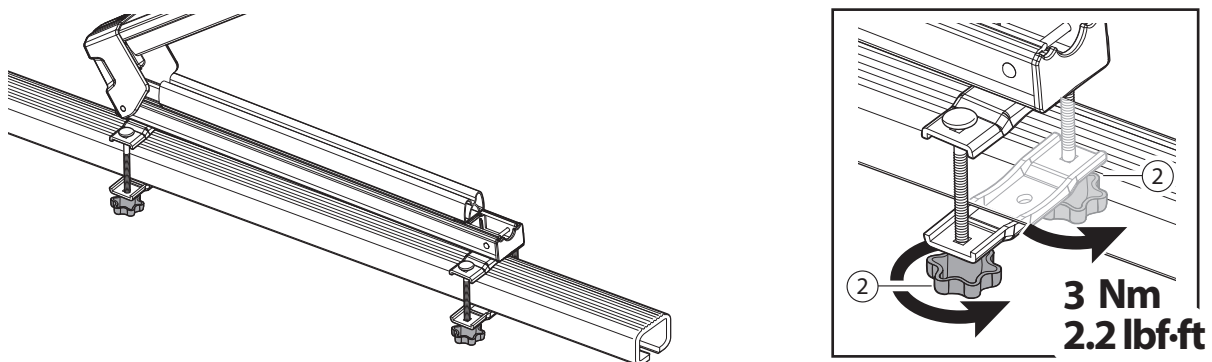
9 YELO NS / YELO

X2



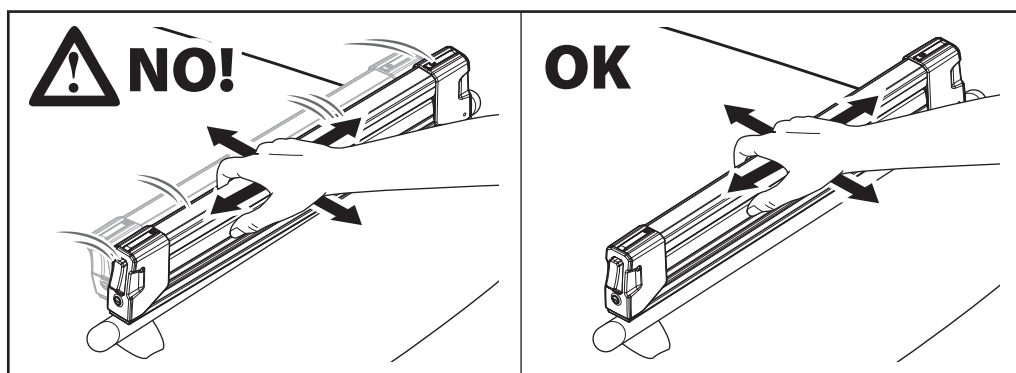
10 YELO NS / YELO

X2



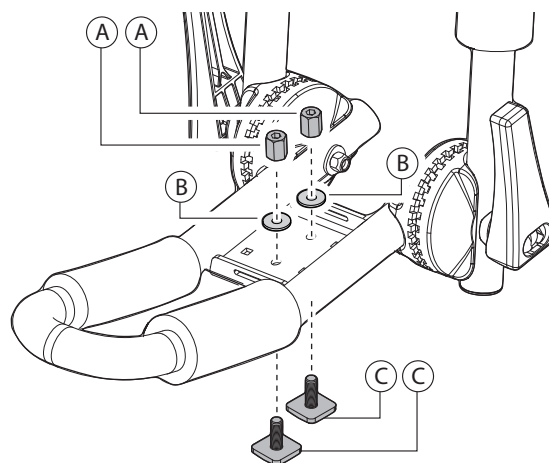
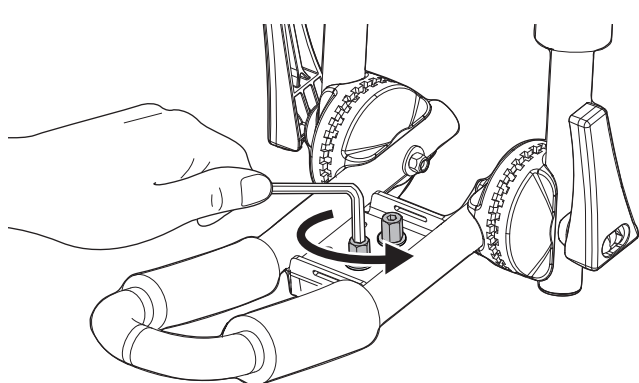
11 — YELO NS / YELO

X2



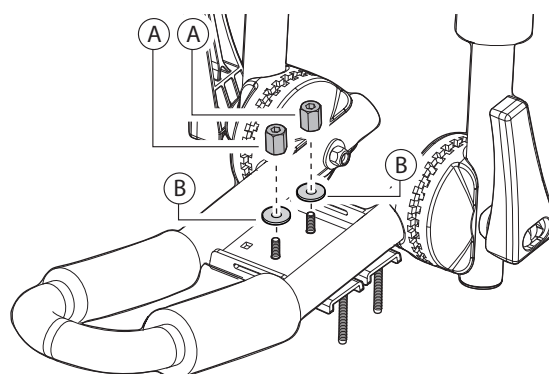
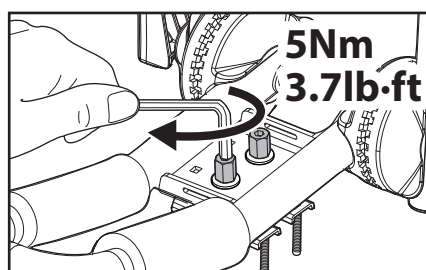
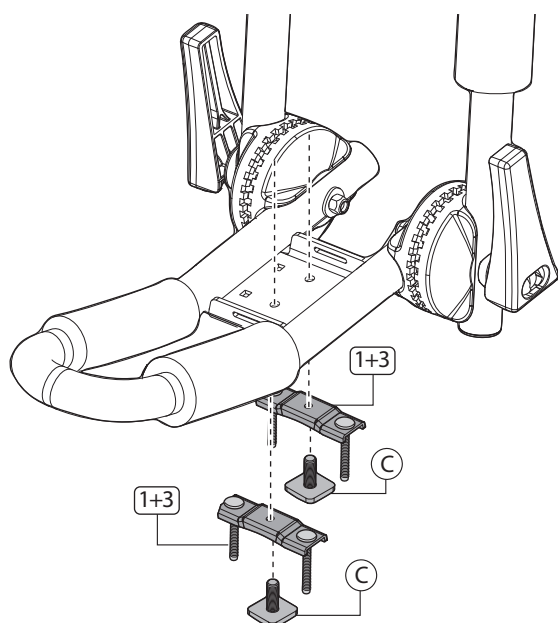
12 — NIAGARA

X2



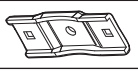

13 — NIAGARA

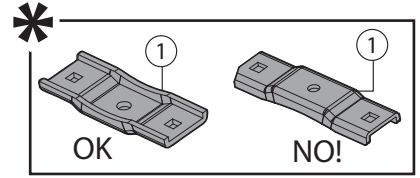
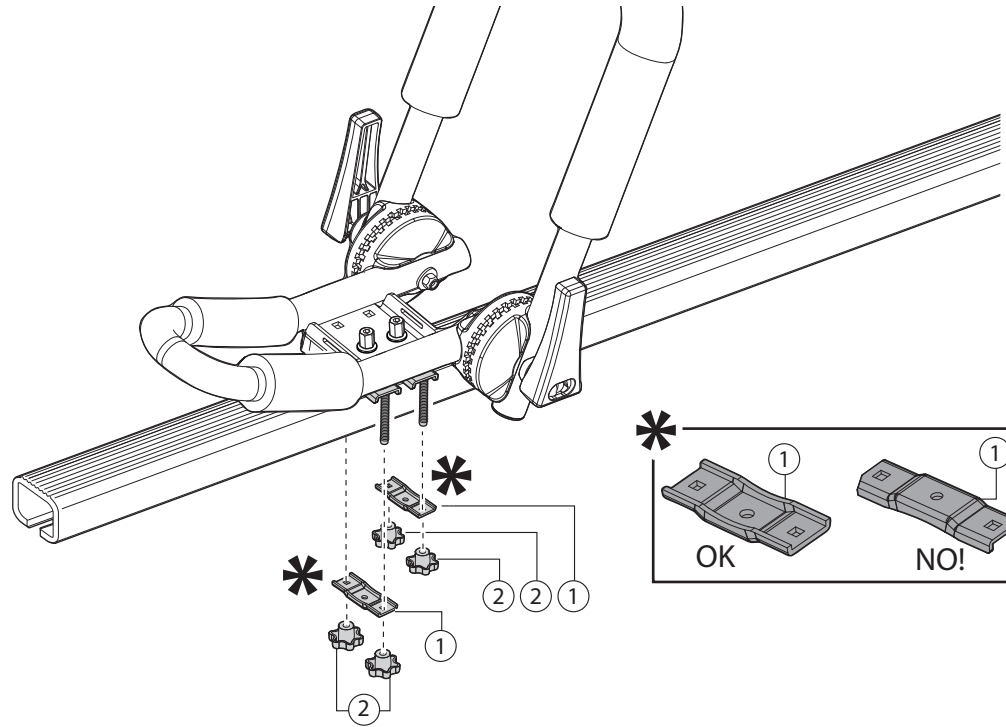
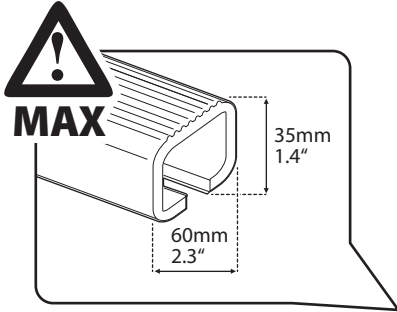
X2



14 — NIAGARA

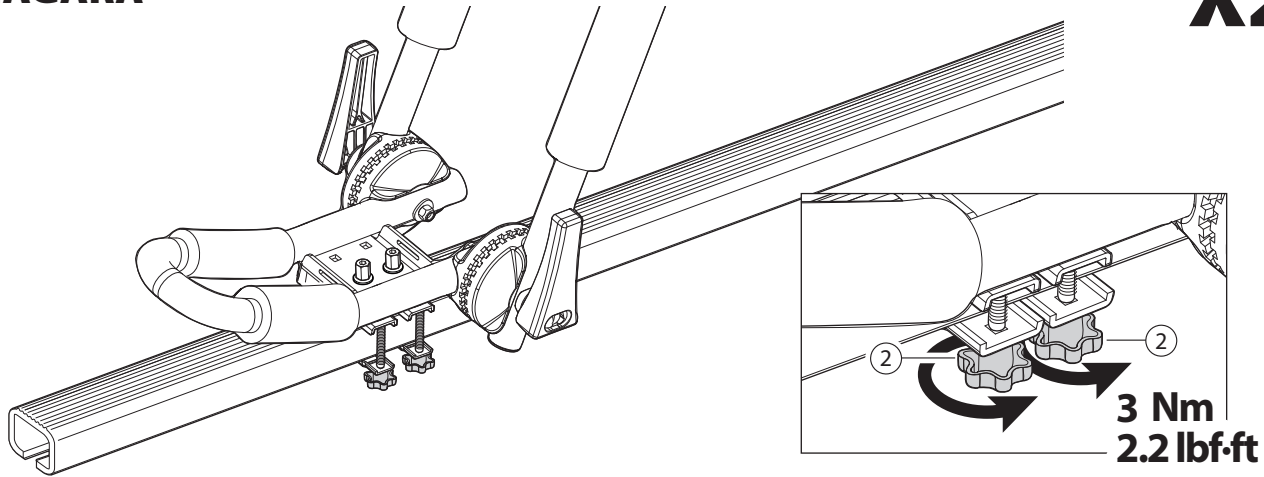
X2

N°		Q.
1		2
2		4



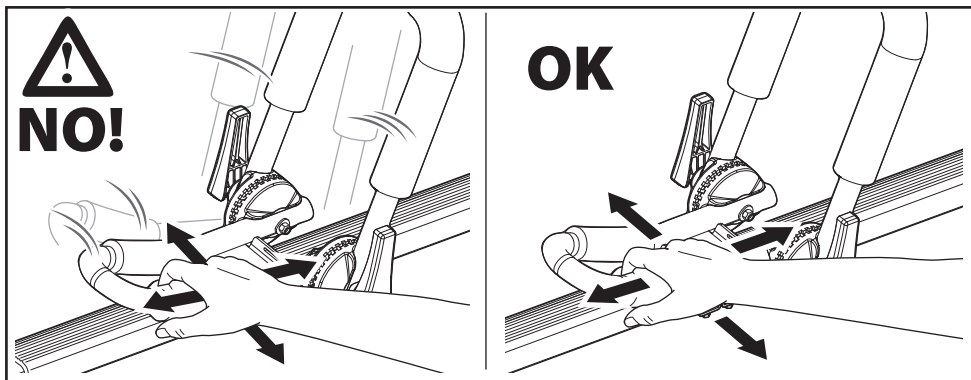
15 — NIAGARA

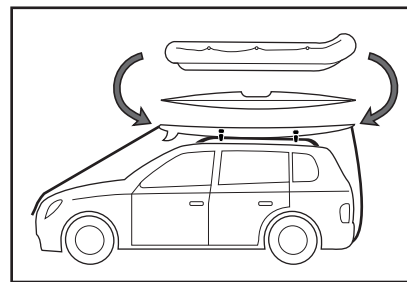
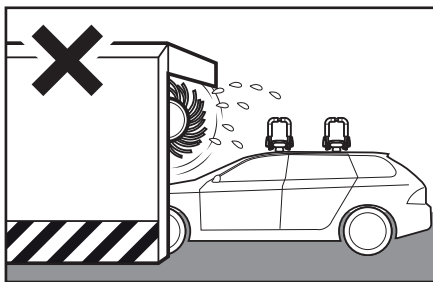
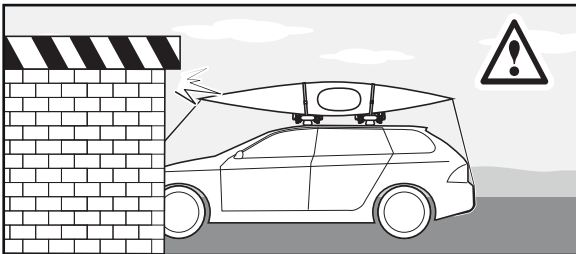
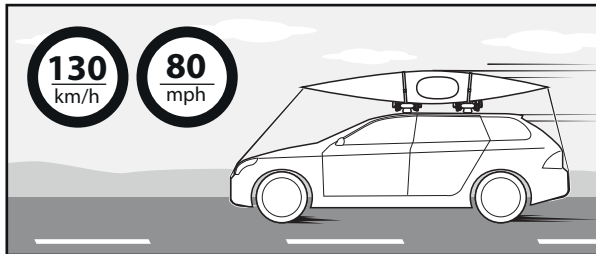
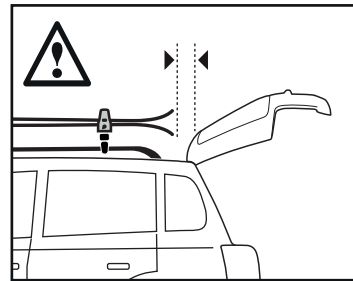
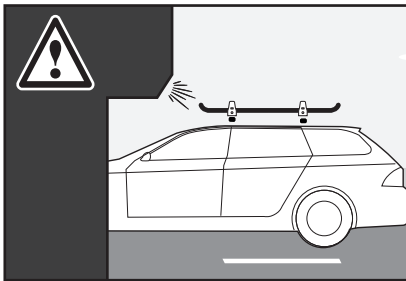
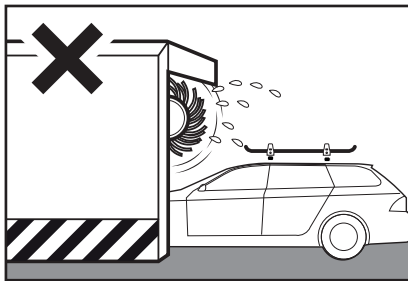
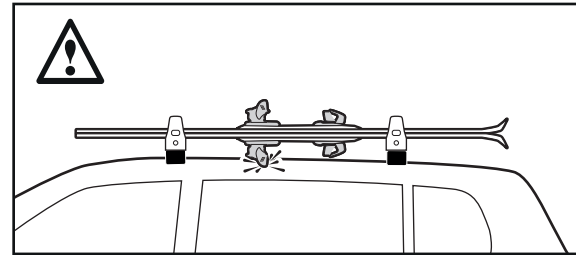
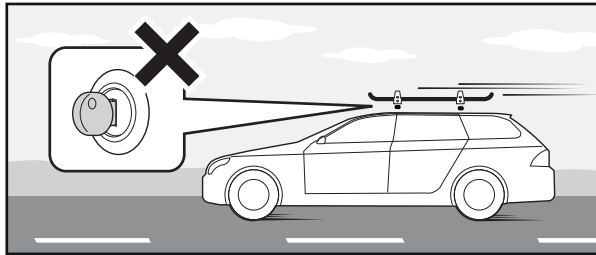
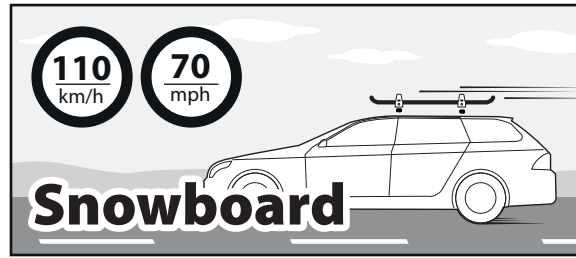
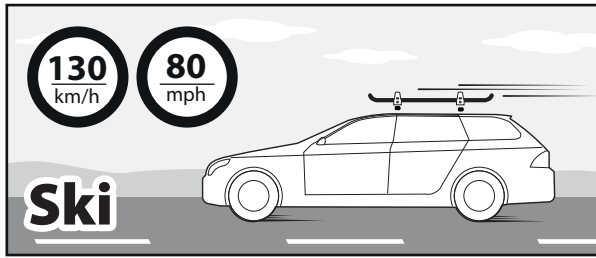
X2



16

X2





F.lli Menabò S.r.l.
 Via 8 Marzo, 3 -Z.I. Corte Tegge
 42025 Cavriago (RE) ITALY
 Tel. +39-0522/942840
 Fax. +39-0522/942948
 e-mail: info@flli-menabo.it
 www.menabocaraccessories.com

Cod.Istr.	50002980001
Data	13/07/2020

Product registration EU:

IT) eu.menabocaraccessories.com/ita/product-support-ita
 EN) eu.menabocaraccessories.com/eng/product-support-eng
 DE) eu.menabocaraccessories.com/deu/product-support-deu
 FR) eu.menabocaraccessories.com/fra/product-support-fra
 ES) eu.menabocaraccessories.com/esp/product-support-esp

Product registration US/CA:

EN) us.menabocaraccessories.com/en/product-support
 FR) us.menabocaraccessories.com/fr/support-produit
 ES) us.menabocaraccessories.com/es/soporte-de-producto

www.menabocaraccessories.com

Name

Surname

Email

Telephone

Serial number

Product name